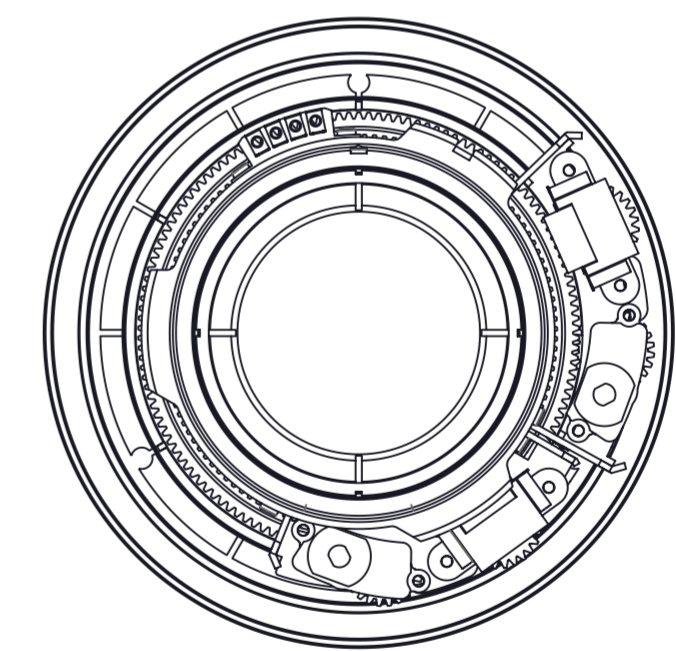
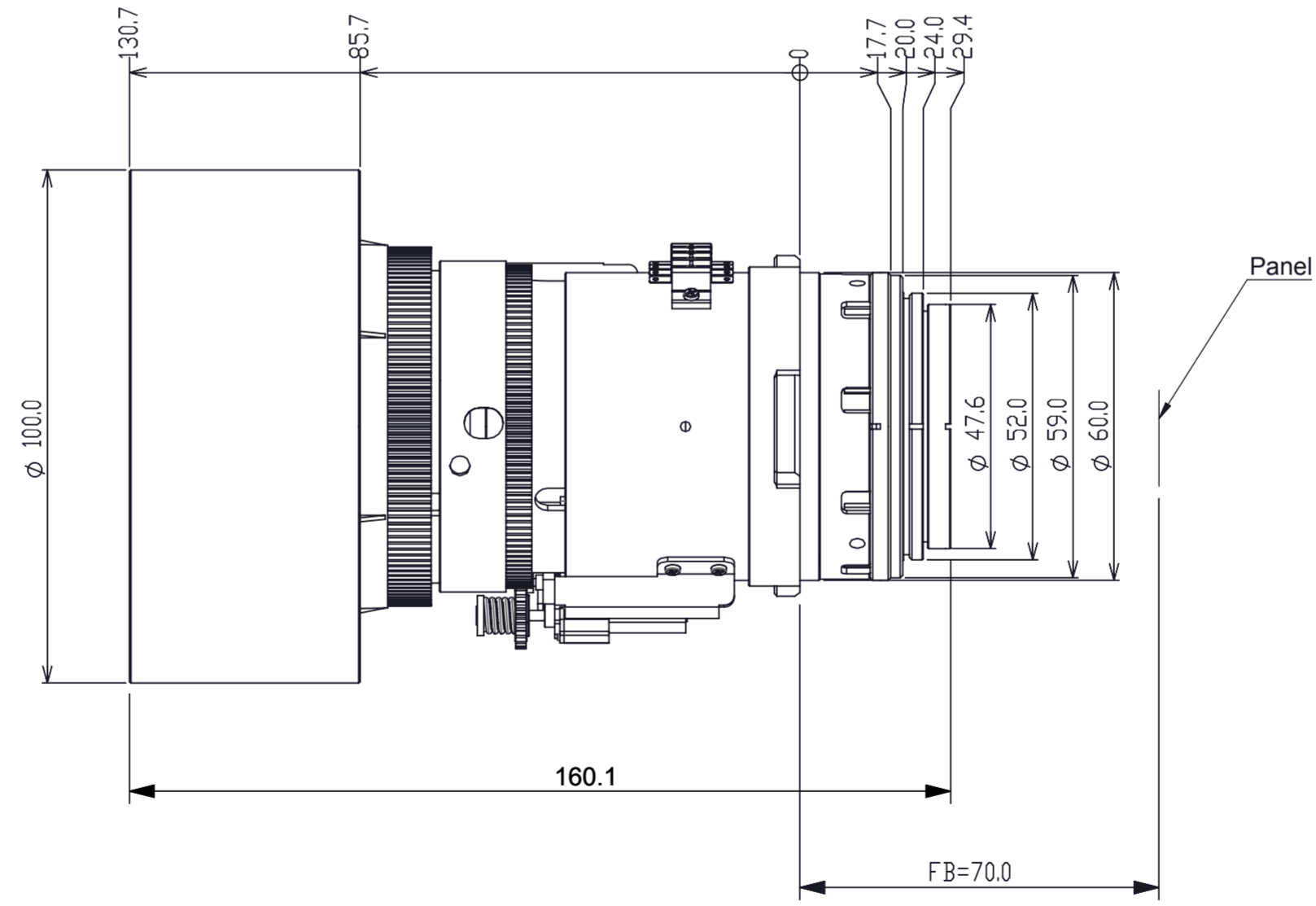
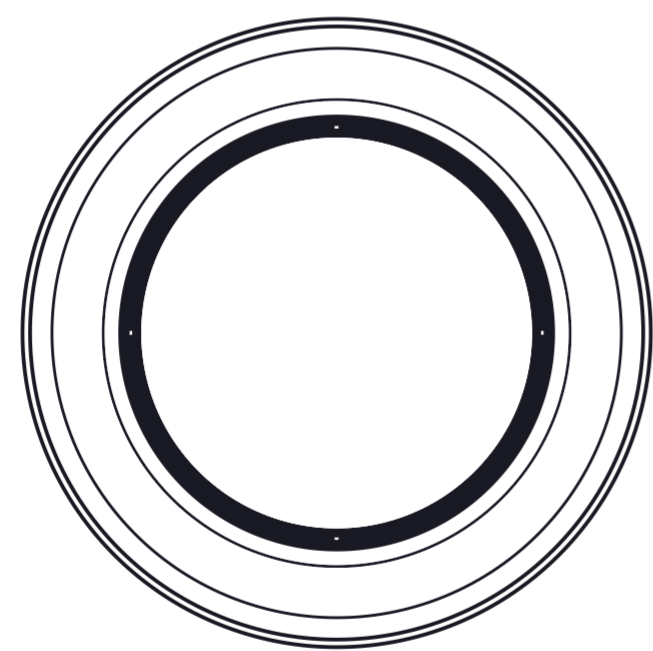
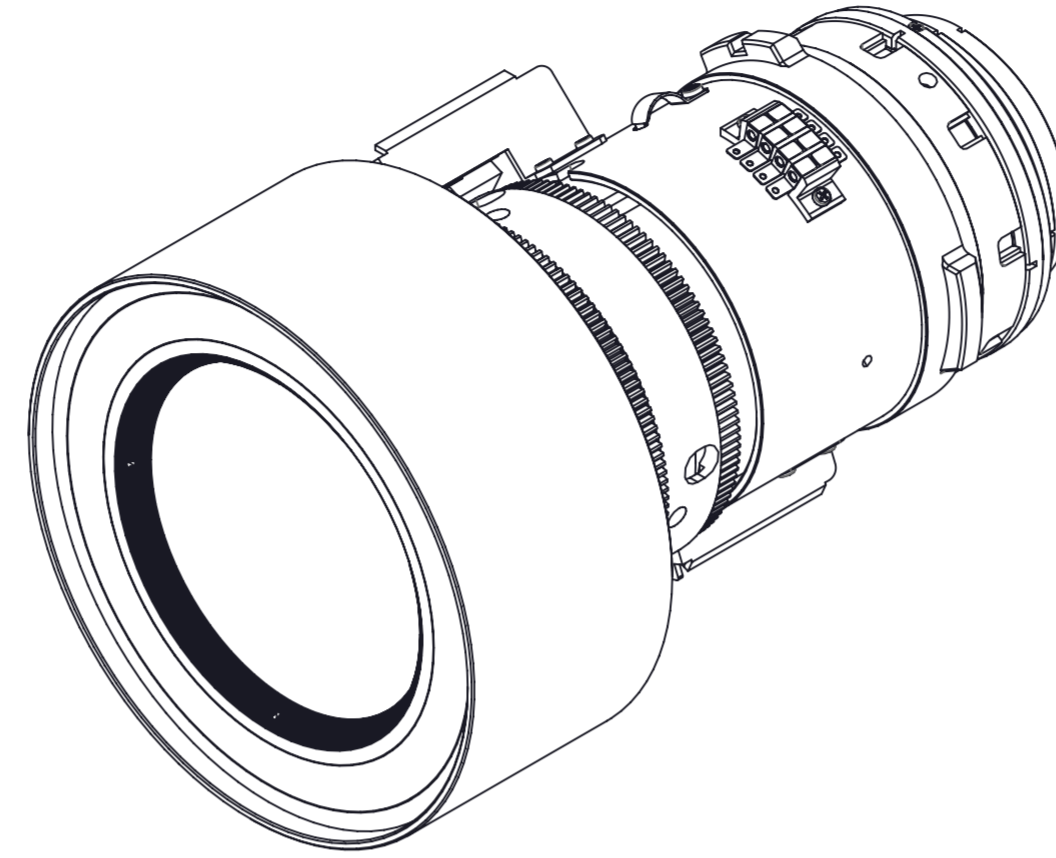


IF IN DOUBT, ASK.



THROW RATIO
UHD 4K
2.2-3.67:1

A2 DRG. No.	1	2	3	4	5	6	7	8	9
PROPRIETARY INFORMATION This document contains proprietary information which is loaned to you in confidence for a specific purpose. It shall not be reproduced or transferred to other documents or other purpose without the prior written permission of Digital Projection Ltd. It shall be returned immediately upon request.	DRAWN BS 308 3rd Angle Projection	Distribution Code							

7					MATERIAL	CAD GENERATED DRAWING DO NOT MAKE MANUAL CHANGES	TOLERANCES UNLESS OTHERWISE STATED	Unless Otherwise Stated DIMENSIONS IN MILLIMETRES	FIRST USED ON	DIGITAL PROJECTION MIDDLETON M24 1XX	TITLE LENS, SEMI LONG ZOOM, TR2.2-3.67:1	COMPONENT OR DRG.No. 118-680
6					CODE	LAST CHANGE	METRIC: 1.000 ±0.01 1.00 ±0.1 1.0 ±0.2 1 ±0.4	REMOVE ALL BURRS & SHARP EDGES. DO NOT SCALE DRAWING THE SURFACE TEXTURE ROUGHNESS NUMBER OF MACHINED SURFACES SHOULD BE EQUAL TO OR LESS THAN 0.8um (N6 CLA32)	ORIGINAL SCALE 1:1.2			
5					FINISH	DATE OF ISSUE 1-3-19	IMPERIAL Fractional ±1/64" Decimal ± 0.005"	REVISIONS REV. A	DRAWN jcharnley	APP.ENG.	DATE 23-11-17	1 OF 1
4							ANGLES ± 0° 30'	NOTE				
3								APP.DO.				
2								DATE 30-11-17				
A	PRE REVS	ITEM	DESCRIPTION	REFER TO	No OFF	REMARKS						